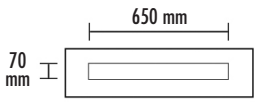
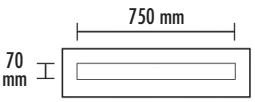
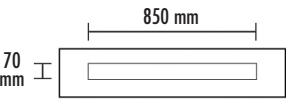
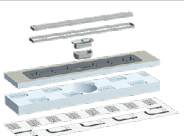
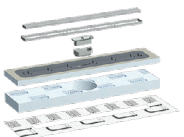
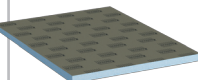
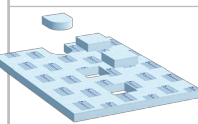
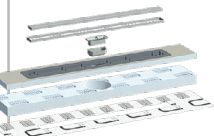
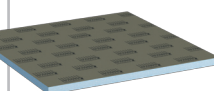
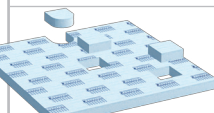


■ **PRODUCT SPECIFICATIONS – LUX ELEMENTS®-TUB-LINE RT / GK**

\* standard-compliant according to DIN 18534

ARTICLE-NUMBER	ARTICLE-NAME / ARTICLE-DESCRIPTION	NOMINAL FORMATS/DIMENSIONS LENGTH x WIDTH x HEIGHT	UNIT	PRICE / UNIT €
Floor channel drain				
				
	<b>TUB-LINE RT 900/200 (650)</b>			
				
	<b>TUB-LINE RT 900/200 (750)</b>			
				
	<b>TUB-LINE RT 1200/200 (850)</b>			

<p><b>TUB-LINE RT</b>, floor channel drain with cover rail and tiling aid made of brushed stainless steel, cover rail tileable on the rear side, with odour trap, height adjustable with height adapter from 5 – 17 mm, integrated in hard foam support element, including substrate element, including sealing sleeve.</p>				
	<b>LTUBE95008</b>	<b>TUB-LINE RT 900/200 (650)*</b> , floor channel drain 70 x 650 mm, integrated in hard foam support element, including substrate element 200 x 900 x 55 mm, including sealing sleeve 1000 x 300 mm	200 x 900 x 30 mm	set
	<b>LTUBE95001</b>	<b>TUB-LINE RT 900/200 (750)*</b> , floor channel drain 70 x 750 mm, integrated in hard foam support element, including substrate element 200 x 900 x 55 mm, including sealing sleeve 1000 x 300 mm	200 x 900 x 30 mm	set
	<b>LTUBE95002</b>	<b>TUB-LINE GK R1 1200/900*</b> , hard foam descending gradient element, sealed, with one-sided gradient	1200 x 900 x 30/45 mm	piece
	<b>LTUBE11812</b>	<b>TUB-UR 1200/900</b> , universal substrate element, rectangular, for TUB-LINE GK R1 1200/900	1200 x 900 x 55 mm	piece
	<b>LTUBE95003</b>	<b>TUB-LINE RT 1200/200 (850)*</b> , floor channel drain 70 x 850 mm, integrated in hard foam support element, including substrate element 200 x 1200 x 55 mm, including sealing sleeve 1300 x 300 mm	200 x 1200 x 30 mm	set
	<b>LTUBE95004</b>	<b>TUB-LINE GK Q1 1200*</b> , hard foam descending gradient element, sealed, with one-sided gradient	1200 x 1200 x 30/45 mm	piece
	<b>LTUBE11113</b>	<b>TUB-UQ 1200</b> , universal substrate element, square, for TUB-LINE GK Q1 1200	1200 x 1200 x 55 mm	piece



LUX ELEMENTS manufactures individual customised and special products for TUB. These include dimensions, thicknesses, shapes etc. that deviate from the standard programme.



Visit [www.luxelements.com](http://www.luxelements.com) for further information on TUB. Data sheets, assembly instructions, test certificates and additional brochures under 'Downloads', videos under 'Practice' and on YouTube.