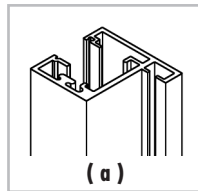


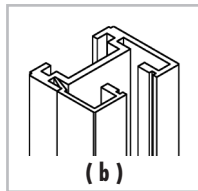
The glass front offers the greatest possible transparency for individual room designs. Our glass profile constructions combine the LUX ELEMENTS®-CONCEPT-DOOR GFR profile frame and the LUX ELEMENTS®-CONCEPT-DOOR GFZ (DIN left/DIN right) block frame with the roller catches and glass doors hinges as well as the LUX ELEMENTS®-CONCEPT-DOOR GFG glass elements. The entire structural design is formed by the floor, ceiling and wall frames in conjunction with the 8 mm ESG glass (tempered safety glass).

**Technical data, profile**

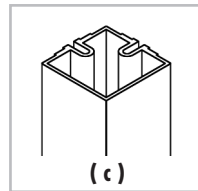
- Glass profile constructions can be designed with the system comprising block frame (visible width 50 mm) and frame profile (visible width 36 mm) as well as with the 90° or 135° corner profile (special variants upon request)
- With regard to the size of the individual glass elements we are restricted as standard to surface measurements of max. 2450 x 1150 mm (special measurements upon request)
- The design options comprise the following components:
  - Glass front with glass door, consisting of the individual elements from a to n (depending on the model)
  - Glass front without glass door (window opening), comprising the following components b / f / g / i / m / n



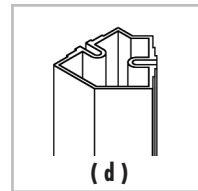
( a )  
Block frame profile



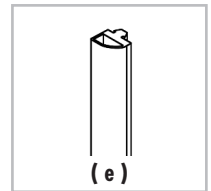
( b )  
Frame profile



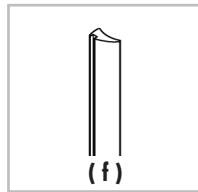
( c )  
Frame corner profile 90 °



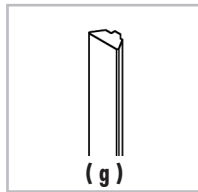
( d )  
Frame corner profile 135 °



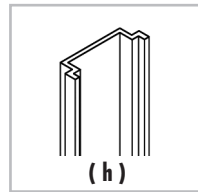
( e )  
Rubber buffer  
(colour: black)



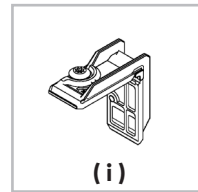
( f )  
Wedge profile  
(colour: transparent)



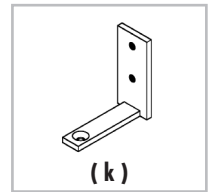
( g )  
Support profile  
(colour: transparent)



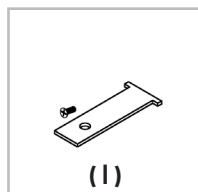
( h )  
Connection profile for  
frame profile to frame profile  
with self-tapping screw



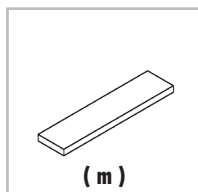
( i )  
Corner frame connector  
(Torx wrench 20)



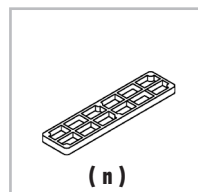
( k )  
Floor fixing bracket with  
grub screw (right or left)



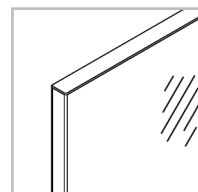
( l )  
Frame fastening with screw



( m )  
Supporting block d = 5 mm  
(2 for each glass element  
on the floor)



( n )  
Distance plate, 2 for every  
1 - 2 - 3 - 4 - 5 mm  
thickness for a system



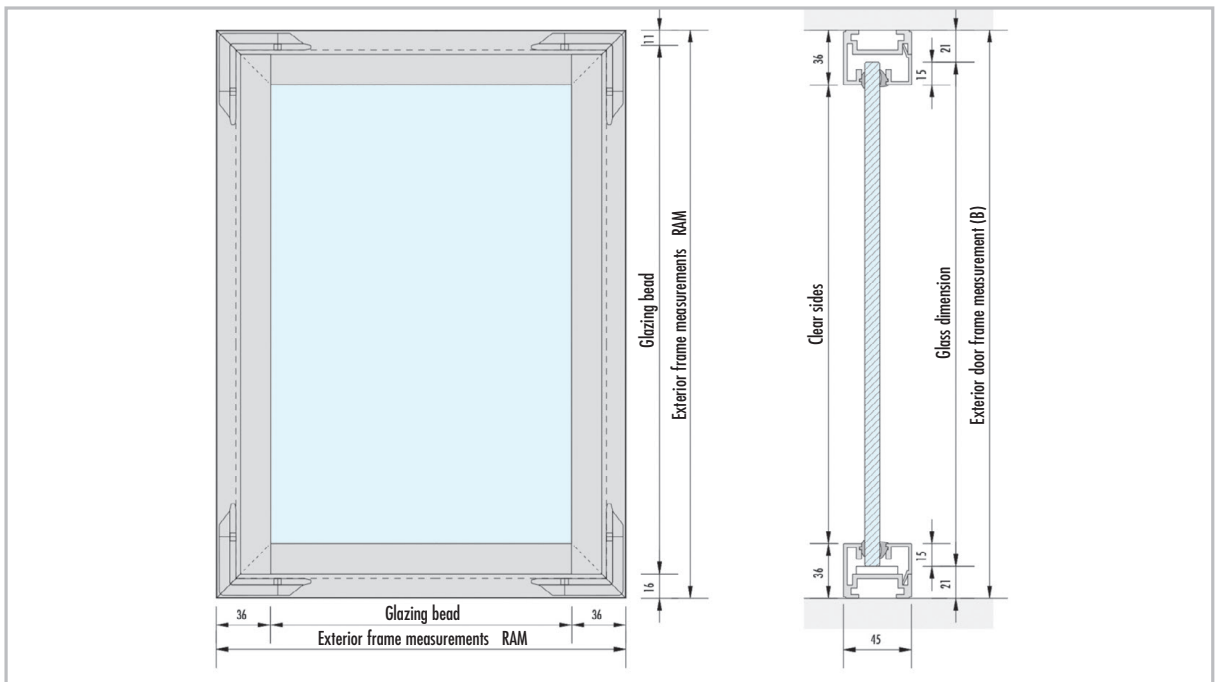
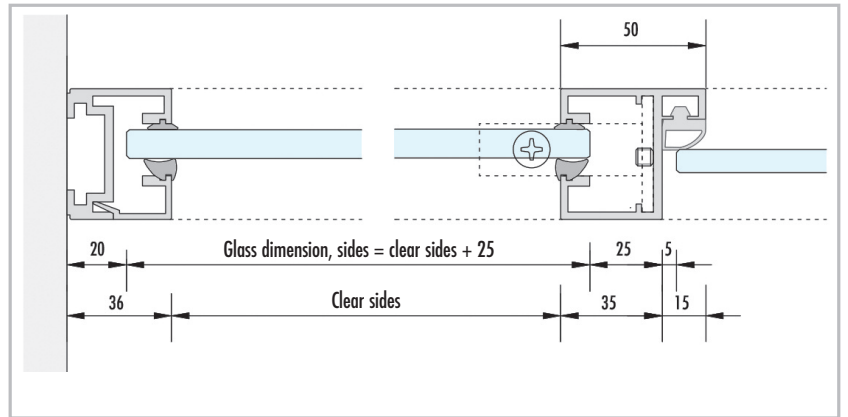
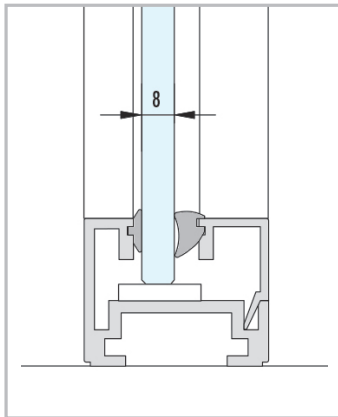
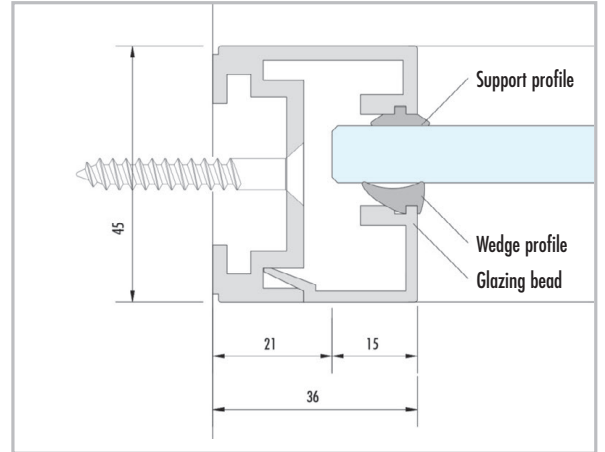
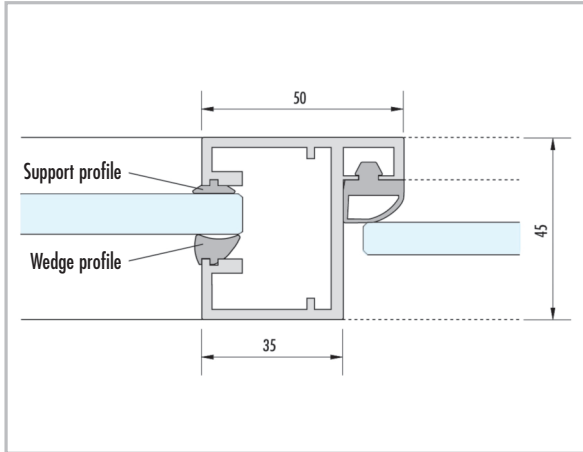
8 mm glass

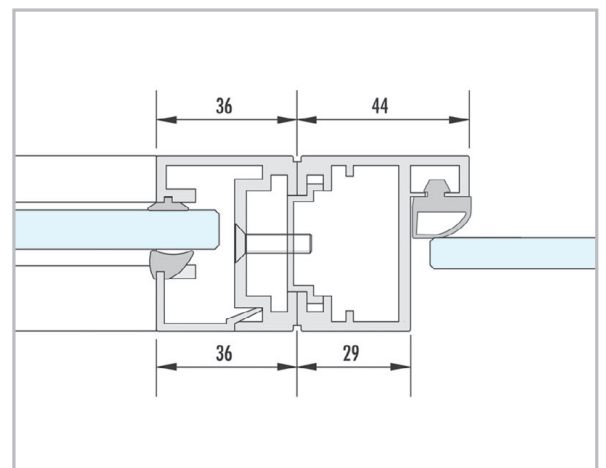
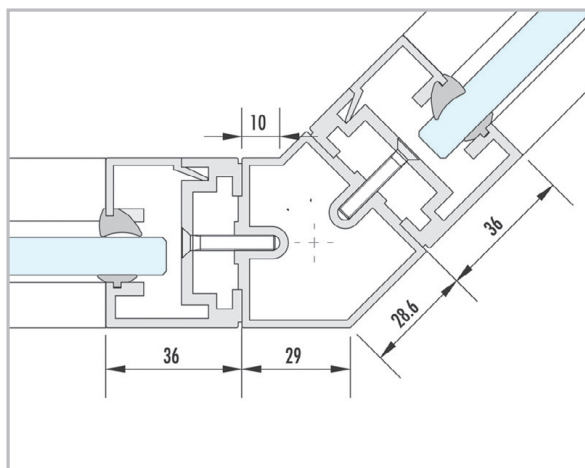
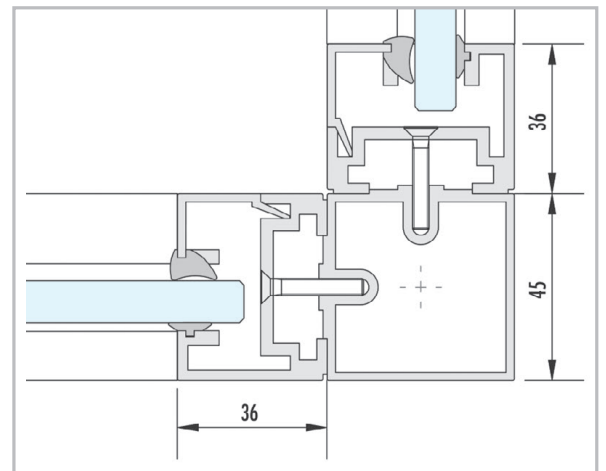
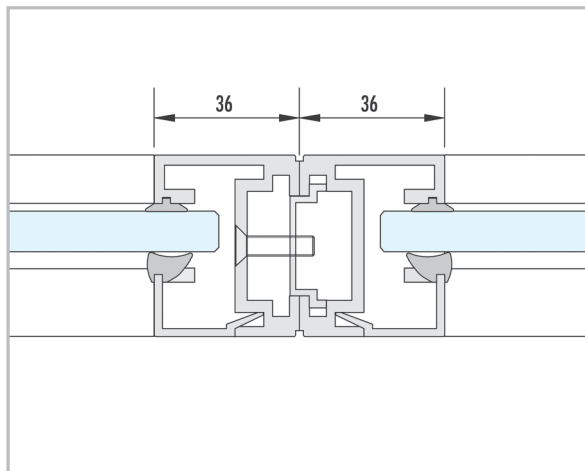
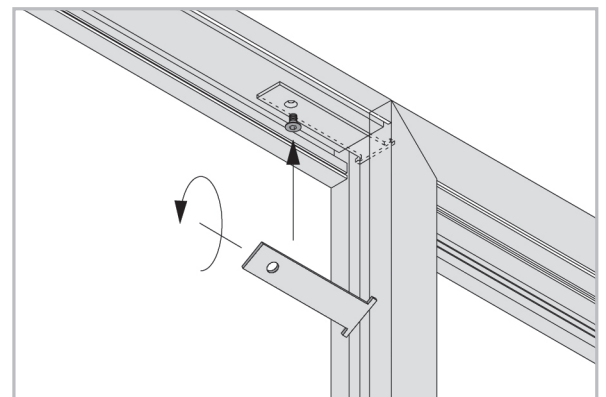
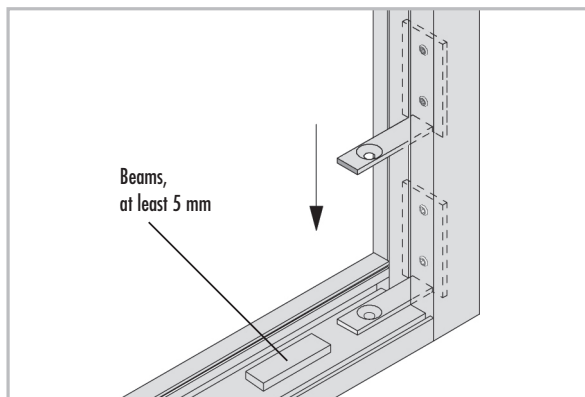
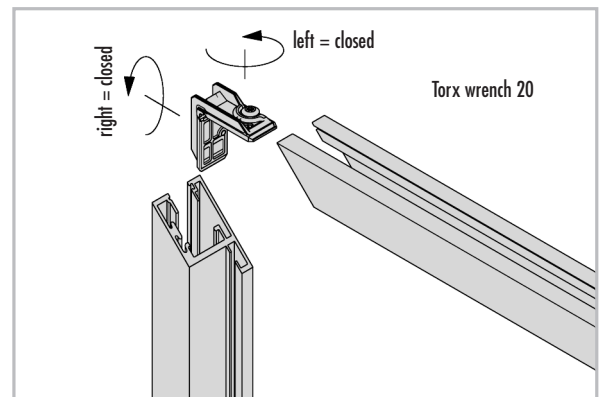
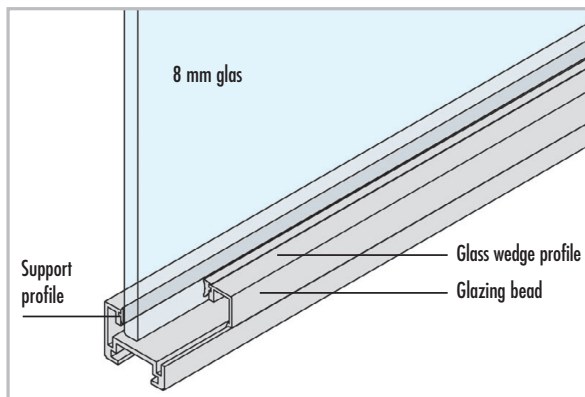


Screws 4 x 50 mm  
countersunk stainless steel  
for fastening in PRO-MAK  
(3 per metre)

Drawings

(all dimensions in mm)





**Standard surfaces of block frame and frame**



Surface finish similar to stainless steel, anodised (standard)



Matt silver EV 1



Paint, white RAL9016



Metallic grey DB 703

- Special paints: on request
- The door frames and fittings are made to match, but are available from different production facilities and with a surface finish similar to stainless steel, matt silver, or painted white RAL 9016 (special paints on request)

**Technical data, material**

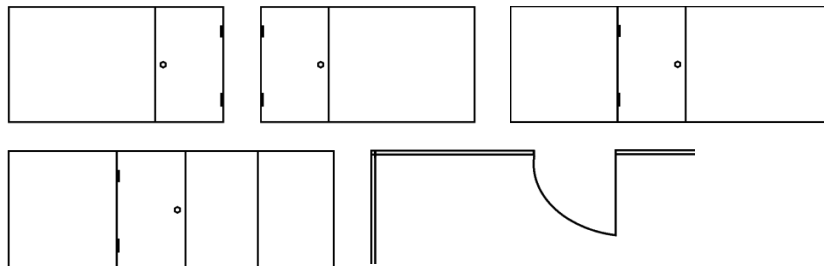
- The glass thickness is always 8 mm (colours and coatings on request)
- Door frames and frames made of aluminium and fittings made of stainless steel
- Aluminium door knob, finish similar to stainless steel (diameter: 45 mm)
- Stainless steel handle, optically matching door frame profile (diameter: 20 mm, 300 mm long)

**Accessories**

On request

**Notes**

- Please observe the processing instructions for LUX ELEMENTS®-CONCEPT-DOOR GF.. and LUX ELEMENTS®-CONCEPT-DOOR-TZ B/F
- Please observe: We recommend assembly on a tiled surface. The material thickness values for tiles and adhesive must be deducted from the narrowest skeleton construction opening. We also recommend that you allow for an installation tolerance of at least 2 mm.
- Glass profile constructions:



The relevant recommendations and guidelines, as well as DIN regulations, European standards and safety datasheets are to be observed. The recognised architectural and technical rules apply. We accept liability for the perfect quality of our products. Our processing recommendations are based upon trials and practical experience; they can, however, be no more than general instructions without assurance as to their quality, since we have no influence on the site conditions, on the execution of the work and the processing. With the issuing of this product datasheet previous versions cease to be valid.

**LUX ELEMENTS GmbH & Co. KG**

An der Schusterinsel 7  
 D - 51379 Leverkusen-Opladen  
 Tel. +49 (0) 21 71/72 12-0  
 Fax +49 (0) 21 71/72 12-40  
 E-Mail info@luxelements.de

**LUX ELEMENTS S.A.S**

ZI-31, rue d'Ensisheim  
 F - 68190 Ungersheim  
 Tél. +33 (0) 3 89 83 69 79  
 Fax +33 (0) 3 89 48 83 27  
 E-Mail info@luxelements.fr